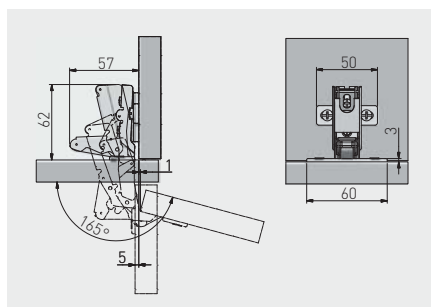


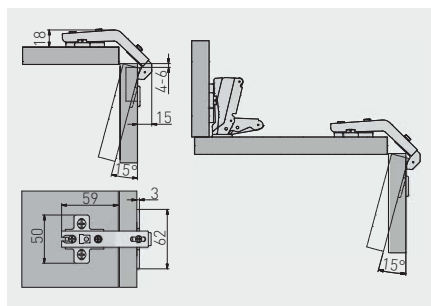
Winkelscharnier KT 165°  
Charnière 165° KT  
Bisagra 165° KT



ZP-KT165H2BE	H = 2	—	—	Nickel nickel níquel	Stahl acier acero
ZP-KT165H2ZE		—	x 2		



Winkelscharnier KT 135°  
Charnière 135° KT  
Bisagra 135° KT



ZP-KT135H2BE	H = 2	—	—	Nickel nickel níquel	Stahl, ZnAl acier, ZnAl acero, ZnAl
ZP-KT135H2ZE		—	x 2		

